

ASSEMBLY INSTRUCTIONS: 71-1006 V04 000721

Serie Lounge, Serie Lounge HiBack. 30110-30113, 30120-30133.

Intended use:


This seating element has been designed exclusively for use in commercial environments and is therefore intended solely for this purpose. Any other use that goes beyond the intended purpose (e.g. in workshops, storage areas or damp locations) is classed as not in accordance with the intended use. The company VS Vereinigte Spezialmöbelfabriken GmbH & Co. KG shall not be held liable for damage arising from such non-intended use.

General note on reading and storing the instructions:

Please read these instructions and in particular the notes on safety carefully and in full before using the products. Keep the instructions in a safe place for subsequent reference and pass them on to other users.

General note on safety:

We use the following symbols and notes in our assembly instructions:

 **Important!** This symbol refers to an important note on assembly.

On the internet:

Alternatively, they can be downloaded: (see header title).

Standardize:

Tested according to DIN EN 16139.

Scope of delivery:

The product is delivered fully assembled.

Operation:

Follow the instructions on the following page.

Troubleshooting and service:

If faults occur, please contact our Aftersales Service kundenservice@vs-moebel.de

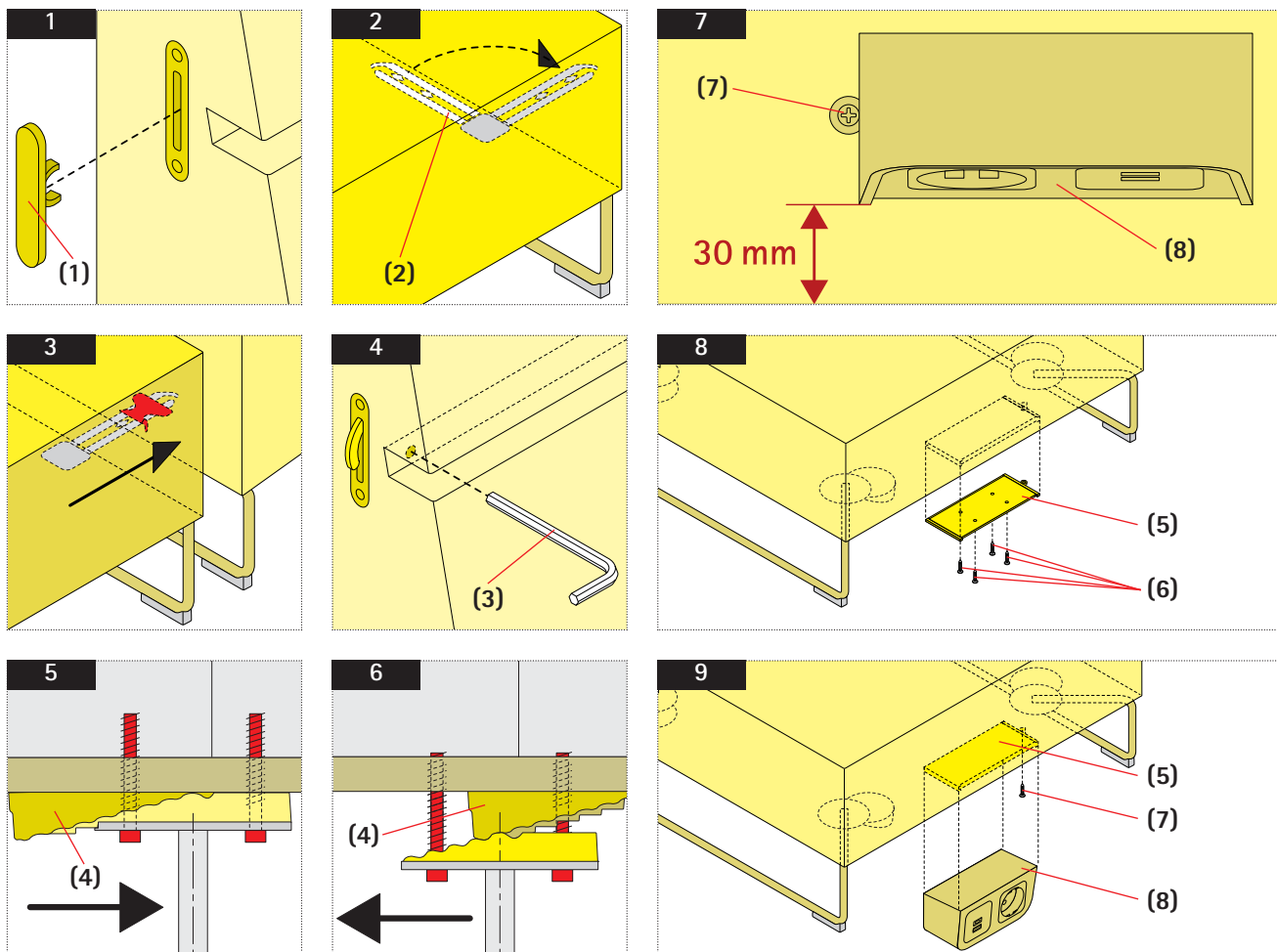
Maintenance and Cleaning

On the internet: vs.de/kataloge/reinigung/en

Forwarding and Disposal:

If the product is passed on to any third party then these instructions must be supplied with it. Please contact your relevant local authority for information on environmentally compatible disposal. The indicated electric and electronic components must not be disposed of with the ordinary waste. They must be removed from the furniture unit before the unit is sent for disposal. They are to be disposed of at authorized collection and return points.





Procedure for concatenation

1. Remove protective caps (1) and fold out the connector [Fig. 1].
2. Fold out the connecting pieces (2) and push the elements together. The connecting pieces must engage in the corresponding retainers [Fig. 2+3].
3. Using the supplied Allen key WAF 7 (3), lock the elements to each other through the opening in the upholstery (turn counterclockwise!) [Fig. 4].
4. Disassembly is performed in reverse sequence.
5. In the event of floor unevenness release the screws with an Allen key WAF 5. Adjust the levelling wedges (4) (offset) and screw again. (At maximum adjustment the screws must be twisted out completely) [Fig. 5+6].

Procedure for establishing electrical connections

1. Position the mounting plate (5) at a distance of 30 mm from the front edge of the Lounge element. Assembly is usually performed in the centre of a straight Lounge element. Alternatively, installation is possible in accordance with the customer's requirements [Fig. 7].
2. Fix the mounting plate (5) of the electrical connection unit (8) to the underside of the Lounge element using four PH 4.0x20 mm chipboard screws (6) [Fig. 8].
3. Now engage the electrical connection unit (8) at the mounting plate (5) (push to the right) [Fig. 9]. The strain relief mechanism for the connecting cable is already integrated in the unit.

Caution! The mains power line to the electrical connection unit must be positioned in such a way that there is no danger of tripping and falling.

4. Finally, you must secure the unit against disassembly by inserting a locking screw (7) (PH 4.0x20 mm chipboard screw (6)) to the left next to the unit. This is to prevent the electrical connection unit (8) from being accidentally pushed out of the mounting plate (5) [Fig. 9].